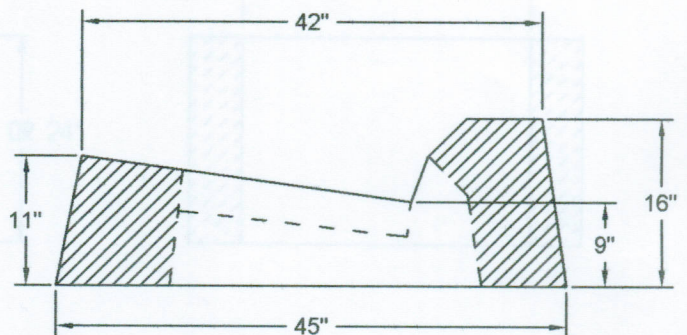
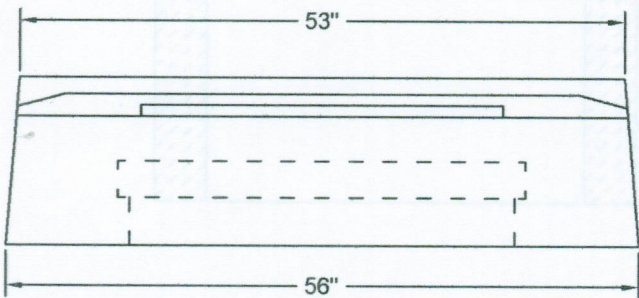
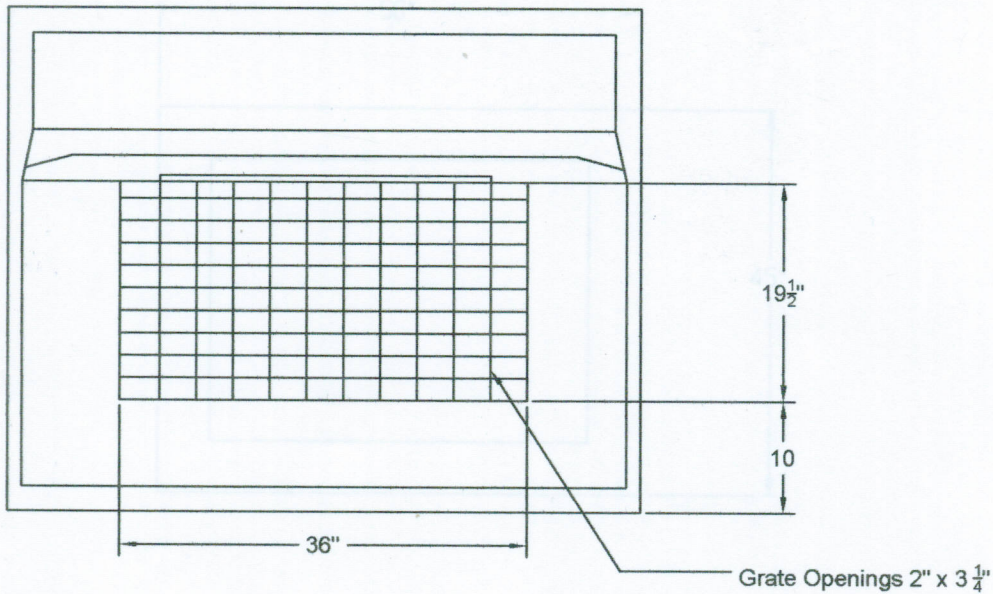


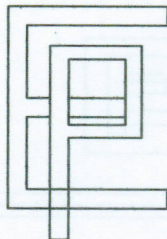
TYPE BC (curb) CATCH BASIN TOP H-20



SPECIFICATIONS:

- *Concrete Minimum Strength 4000 psi @ 28 days.
- *Steel Reinforcement: #3 Rebar Grade 40
- * Type A M507 K Steel Grate Meets H-20 Wheel Load (Painted or Gavanized)
- * Steel Grate is Bicycle Safe.

DWG # C4556



EASTERN PRECAST CO. INC.

PO. BOX 5133, 2 COMMERCE DR.
BROOKFIELD CT 06804
Phone: (203) 775-0230, 775-9380
Fax: (203) 740-2059
WWW.easternprecast.com