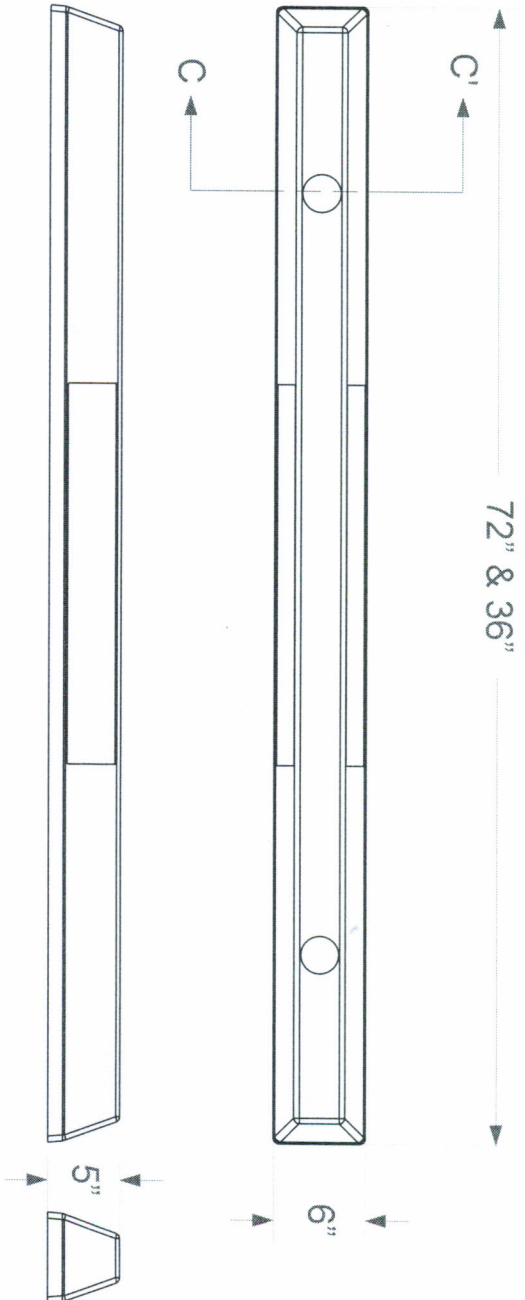
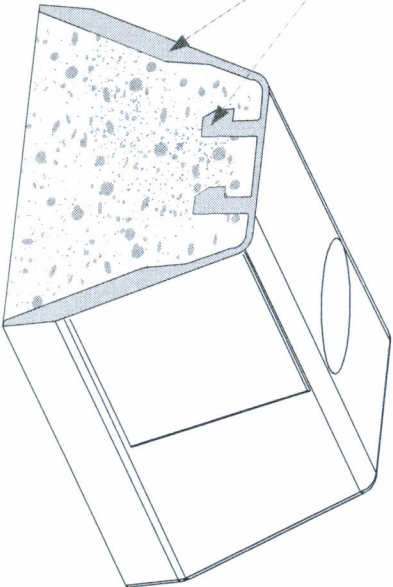


SECTION C - C



concrete keepers



COLORS: Safety Yellow OR Handicap Blue
MATERIAL: UV Stabilized, high-impact polymer
NOTE: MUST BE FILLED WITH CONCRETE

PART:

TUF-STOP

TELEPHONE: 847.550.1011
 TOLL FREE: 800.382.7009
 FAX: 847.550.8004

PART #:

TUF-STOP-YEL
TUF-STOP-BLUE



Tuf-Tite, Inc.
 1200 Flex Court
 Lake Zurich, Illinois 60047